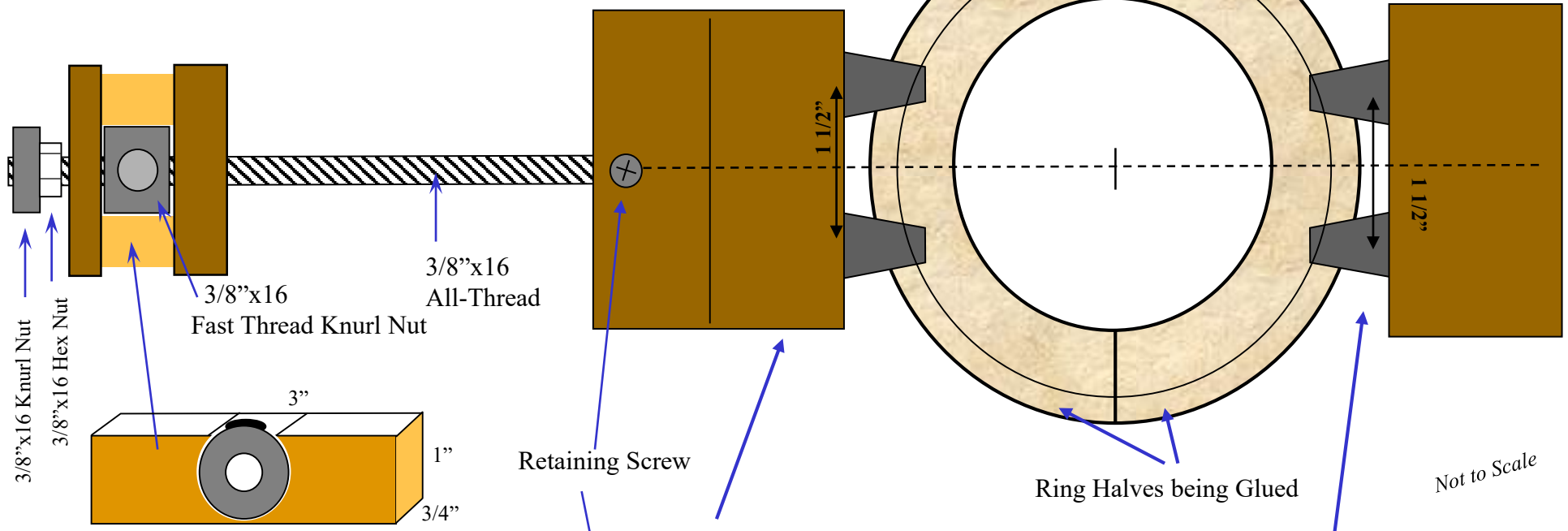


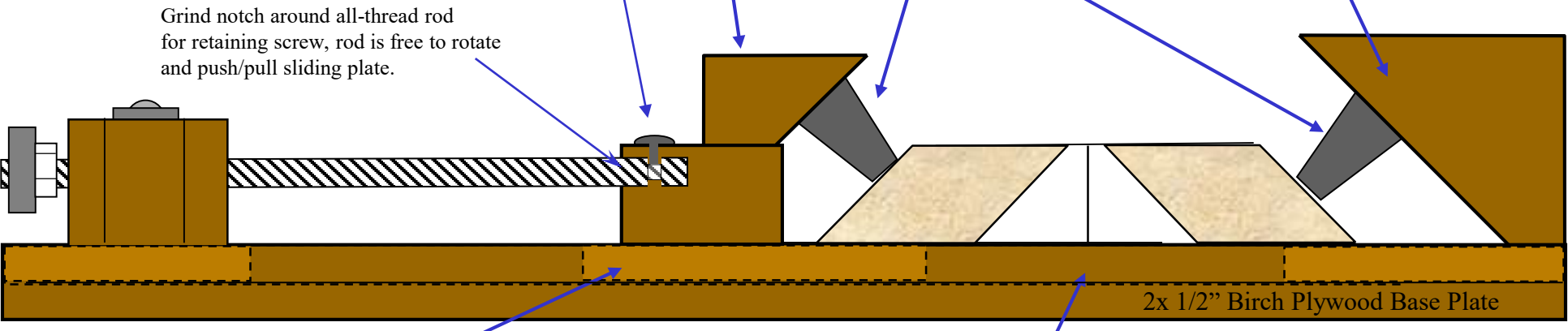
Half Ring Clamping Jig

Top View



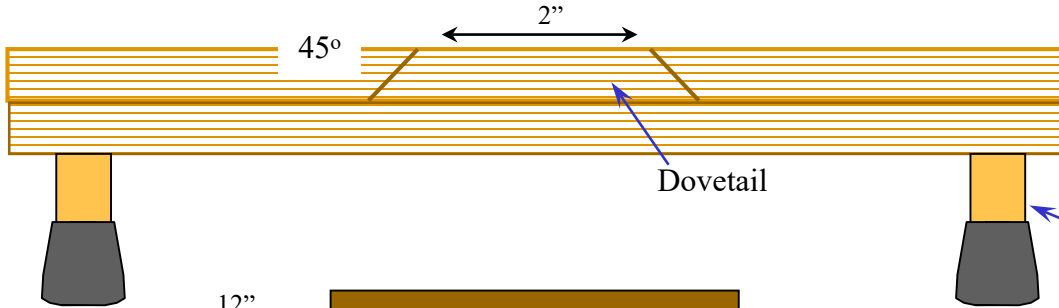
Not to Scale

Side View



Sliding plate in Wide Dovetail Slot
(top piece of 1/2\"/>

End View



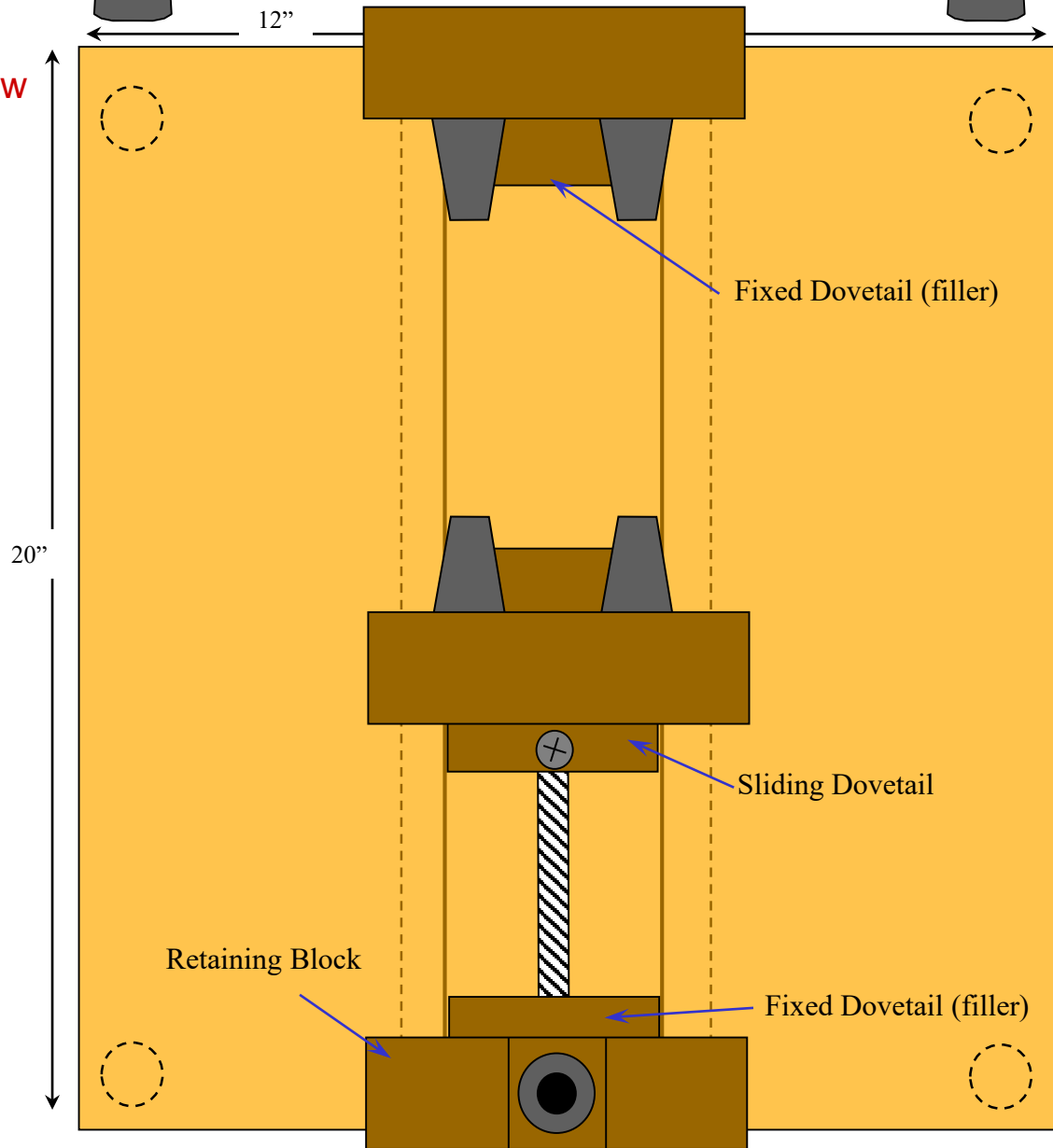
1/2" Birch Plywood

1/2" Birch Plywood

4 Legs - (Makes clearance for spring clamps)
1 1/2"x7/8 dia Birch Dowel
with 7/8" rubber crutch tip

Not to Scale

Top View



Fixed Dovetail (filler)

Sliding Dovetail

Retaining Block

Fixed Dovetail (filler)

PARTS LIST

2 pcs - 1/2" Birch Plywood, 12"x20"

1 pc - 3/8"-16 All-Thread, 18"

1 - 3/8"-16 Knurled Check/Lock Nut,
MSC #74213208

1 - 3/8"-16 Fast Thread Knurl Nut,
MSC #01602986

1 - 3/8"-16 Hex Nut,

4 - Rubber Lab Stoppers Size:#1
McMaster-Carr #9545K26

4 - 1/4" dowels (to mount stoppers)

4 - 1 1/2"x 7/8" Dowels (Legs)

4 - 7/8" Rubber Crutch Tips

Misc hardwood,plywood for bumper
mount blocks. and knurl nut holder.

On Line:

www.mscdirect.com

www.mcmaster.com