



FRONT RANGE WOODTURNERS

November, 2002, Volume 2 - Number 11

Inside this Issue

Upcoming Events	1
News	1
FRW Christmas Party	1
FRW Board Members	2
FRW Wood	2
Wood Suppliers	2
Miscellaneous	2
Show and Tell	2
Demonstrations	3
November Demo.....	3
Rockler	3
Web Stuff	4
Classifieds	4
Club Information	4
General Meeting Information .4	
FRW Newsletter Contact Info 5	

Upcoming Events

December – Tuesday, December 3. This will be our annual Christmas/Holiday party to be held at Red Rocks Community Room. See newsletter for details.

January Tuesday, January 7, 2003. Ed Quan will be doing the demo. He is a woodturner instructor for Rockler's. ❖

News

FRW Christmas Party

Instead of a December meeting, we will be having our annual Christmas Party on December 3rd, Tuesday, at

6:30 pm at the following address:

Red Rocks Community College
Lakewood Bldg.,
Community Room, Room 650,
13300 W. 6th Avenue
Lakewood, CO 80228

Please bring food according to the initial of your last name.

A-I - Vegetable

J-R - Salad

S-Z - Dessert

FRW will be providing the main entrée.

Spouses and Significant Others are welcome.

We will have an auction as a fundraiser for FRW so please bring something for it. We suggest putting your suggested price or reserve price on each item. This will help us start at a price that is good for each item.

We will also have a door prize drawing same as last year. Last year was really great; we not only had wood for the drawing, but other items as well (i.e., safety glasses, masks, etc.). If you would like to contribute to the drawing, please do so.

We will also have a “for sale or swap” table for you to bring stuff to sell. Please mark your name and price clearly on each item.

We will not be having a show and tell in December.

Thank you in advance for both the auction and door prize items.

Directions to the Community College are as follows:

1. Take 6th Ave. west and take the UNION/SIMMS exit.
2. Make a left turn (south) onto Union .
3. Make a right turn (west) at the first light, which is 4th Ave.
4. Go to the top of the hill to Van Gordon and make a right turn (north) onto Van Gordon.
5. Following Van Gordon around and it will become the 6th Ave. Service Road.
6. Go to the light, which is Arbutus Dr (which has a large Community College sign on the corner) and make a left turn (south).
7. Follow Arbutus Dr. into the west entrance of the campus and around to the top parking lot and the last building on the campus. The street name is South Forty.
8. Park and come down the stairs to the Lakewood Building where the Community Room is located.

Any questions, I can be reached on (303) 274-5012 after 6:30 pm.

Thank you,
Kathy Kula

FRONT RANGE WOODTURNERS

FRW Board Members

We are coming up on a new year and thus the opportunity for you to get involved as a board member for the Front Range Woodturners for the year 2003.

All the current officers have offered to continue through 2003, except for the following:

Bear Limvere has agreed to take the Membership Chairman duties. Thanks to Ron Embury for doing a great job for us in the past.

We are still looking for someone to fill the Vice President/Program Director position. This person will be responsible for coordinating and scheduling demonstrators for each meeting. Thanks to George Adams for getting such great demonstrators for this past year.

Elections will be held at the holiday party. Contact John Montague if you are interested.

FRW Wood

With our recent salvage efforts, our club has quite a lot of wood available to its members. The wood is Russian Olive and some maple. If you are interested, contact George Adams at 303-452-5650 or e-mail him at GTAdams@fone.net to schedule pick up times.

Wood Suppliers

Following is a list that Steve Claycomb has compiled of wood suppliers in the Colorado

area. If you have more, contact Steve. (Note: FRW is not endorsing these suppliers, but only providing the list for your convenience.)

Rockler Woodworking and Hardware, 2553 S. Colorado Blvd., #108, Denver CO 80222, 303-782-0588, web www.rockler.com.

Consolidated Hardwoods, Inc., 11850 Vance, Broomfield, CO 80020, phone 303-466-1839, fax 303-469-3580.

Swingle Tree Co., 8585 E. Warren Ave., Denver, CO 80231, phone 303-337-6200 or 303-369-2892.

Centennial Wood Co, Inc., 985 S. Logan St., Denver, CO 80209, phone 303-778-6209.

Austin Hardwoods of Denver, Inc., 1301 S. Platte River Dr., 80223, phone 303-733-1292 or 303-722-1007, web www.austinhardwoods.com.

Colorado Tree and Shrubbery Specialists, Inc., 4760 Parfet St., Wheatridge, CO 80033, phone 303-431-4155.

Paxton Wood Source, 4837 Jackson St., Denver, CO 80213, phone 303-399-6047, web www.paxtonwood.com.

Custom Hardwoods, phone 303-280-6381, affiliated with Tech Western Warehouse, 4520 Indiana St., Golden CO 80403, contact Steve Bell phone 303-902-3115, 303-278-6882, or 303-452-9180.

Woodcraft Supply Corp., 4403 S. Tamarac Parkway, Denver, CO 80237, phone 303-290-0007.

Woodcraft Unlimited, Inc., 2301 S. Delaware St., Denver CO 80223, phone 303-778-9103.

Diverse Hardwoods, 617 1st Ave., Longmont, CO 80501, phone 303-651-1020.

Miscellaneous

Tool and Steel Suppliers

There have been several demonstrators who showed home-made tools made with

HSS steel rod. Here is a supplier that one of our members found:

MSC Industrial Supply
1551 West Evans
Denver, CO 80223
Local (303) 935-2022
or (800) 332-0210

Fax: (303) 937-1228

Email:

branchden@mscdirect.com

Web: www.mscdirect.com

(Note: FRW is not endorsing these suppliers, but only providing the information for your convenience.)

Courtesy During Meetings

We have been requested to please stay seated and quiet during the meeting and demonstration as a courtesy to our demonstrators and fellow members. You feel the need for conversation during the meeting or demonstration, please feel free to step out into the Rockler store.

Shop Tours

We are trying to set up shop tours for interested members. Phil Houck has the sign-up sheet for those interested in giving a tour or going on a tour. Just remember – no one expects a sparkling clean shop, so don't worry about putting it off because you don't have time to tidy up. ❖

Show and Tell

People brought the following items for show and tell:

Bruce Knuth – laser pointer for hollowing tool

FRONT RANGE WOODTURNERS

Jill Rice – Lacewood and holly bowl; maple bowl

Jerry Smith – Segmented bowl of walnut, cherry, oak, maple, and bloodwood; segmented bowl of butternut and bloodwood.

Pete Holtus – Lidded boxes of maple and box elder.

John Hammer – Ornaments of box elder, aspen, and walnut.

Richard Bailey – Stunning chess set of oak and ebonized oak.

Barbara Craig – Large bowls of ash; “artificial natural-edged” pine bowl.

Brandon Mackie – Maple burl bowl with natural edge; aspen bowl with natural edge; small lidded box of maple with purpleheart finial.

Ron Bentall – Bowl made of ash crotch.

Allen Bornstein – Wooden lamp with stained glass shade; clock made of laminated cherry with purpleheart; clock made of laminated cherry, purpleheart, and padauk. ❖

Demonstrations

November Demo

Phil Houck did the November demonstration, showing us how he uses a home-made jam chuck to turn the bottoms of his bowls. The second half of his demonstration is how to use a skew chisel (“Skew You”).

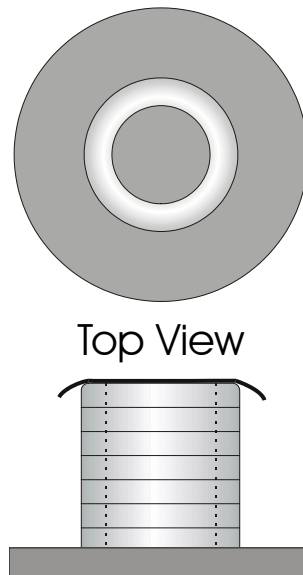
He cuts 1” wide rings in 1” thick medium-density fiberboard (MDF) to the desired size. He

was able cut concentric rings using a bandsaw to get different sized chucks. He then stacked and glued the rings, being sure to not line up the saw kerfs for strength.

He glued the rings on a circle of flat hardwood plywood with a shiny veneer that he had scavenged from a record player cabinet. He then mounted the plywood base on a faceplate and trued up the sides and top, rounding the shoulders slightly.

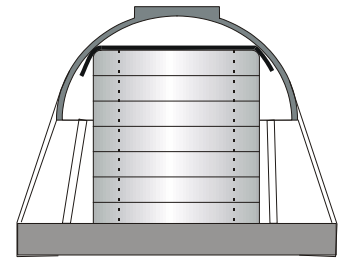
To finish it off, Phil glued a ring of neoprene rubber as a pad.

Below is a diagram of the finished chuck:



Side View

Phil mounts the base to a faceplate with metal screws. He carefully centers the bowl onto the chuck as shown following:



In Use
(cutaway view)

He puts a layer of white, foam padding between the neoprene and the bowl to help prevent scuff marks. The bowl was previously turned and finished, except for the foot. He uses regular masking tape to tape at least 8 points to the base.

He mounts the faceplate to the headstock and brings the tailstock into the foot of the bowl for support. Using small gouges, he turns as much of the foot as possible without hitting the tailstock. At the very end, he moves the tailstock to finish the very center.

Phil then spent the 2nd half of the demonstration showing how to use a skew chisel. He said the most important part of overcoming the fear of the tool is to practice, even if it's only 20 minutes worth. Over time, you will become comfortable with the tool and can do a lot with it. ❖

Rockler

Be sure to check out the wonderful items at the Rockler store. Just a reminder – all FRW members get 10% off all items, except electrical or sale items, all the time. Just present

FRW Newsletter *Contact Info*

Alisa Limvere

Feel free to send her ideas, photos, corrections, and information. Advertising in the Classifieds is free (unless it gets so large that it adds to the newsletter's distribution cost).

In addition, Alisa has made the offer to assist any demonstrators in creating hand-outs of their demonstrations.

Deadline for submitting material for inclusion in the newsletter is 15 days before the next meeting. ❖



FRONT RANGE WOODTURNERS

November, 2002, Volume 2 - Number 11

Front Range WoodTurners
7017 S. Davies Street
Littleton, CO 80120